

To Float or Not to Float? *Analysis of a floating vs. grounded output* Associated Power Technologies

Introduction

In electrical circuits, voltage is always measured between two points: a point of high potential and a point of low or zero potential. The term “reference point” denotes the point of low potential because it is the point to which the voltage is referenced. An example of a voltage measurement is shown in Figure 1.

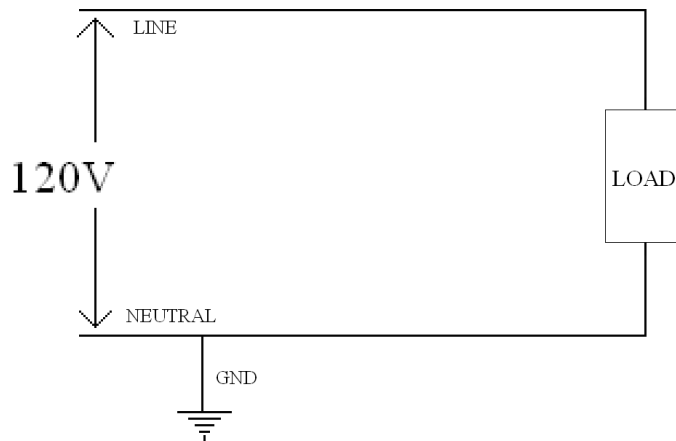


Figure 1: Voltage measurement between line (high) and neutral (low) with the neutral tied to a ground reference point.

The voltage at the low reference point is often referred to as a “ground” or “earth ground” because it is tied directly to the earth. Grounding electrical circuits is necessary for safety in the event that a fault occurs within the system. Without a good ground, there could be potential shock hazards on any piece of electronic equipment.

Grounded systems can present their own set of problems. Small differences in potential within a grounding system can cause ground loops and these loops can have adverse effects ranging from data loss to presenting a severe safety hazard. As a result, it is beneficial to utilize a power source that gives the operator the flexibility of choosing

either a grounded or floating output reference. This article will briefly outline the concept of grounding, discuss issues with grounding systems, and provide details about how Associated Power Technologies (APT) power sources can solve common issues with safety and grounding.

Earth Ground and Chassis Ground

Earth and *Ground* are perhaps the most misunderstood terms in electronics. The difference comes down to a matter of qualifying a reference point. The term “earth” literally indicates a reference point to planet earth. The planet earth is essentially an infinite reservoir of electrons and thus the best place to “drain” excess electrons from a system. The point of contact with earth reference is generally achieved by driving a conductive spike several feet into the ground, ensuring a solid earth connection. Thus the term “earth ground” denotes a connection to an actual earth reference point (see Figure 2).

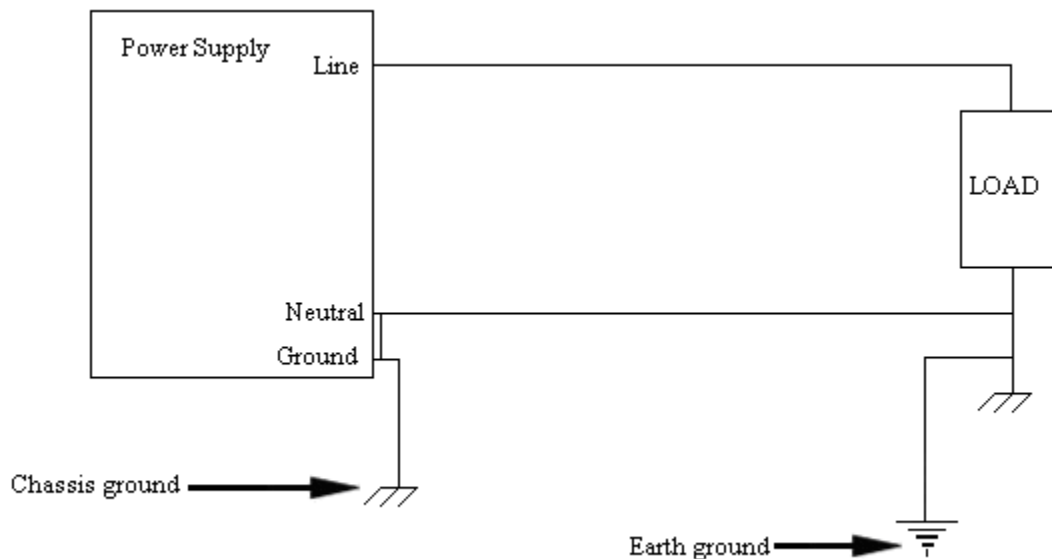


Figure 2: The “ground” point on the power supply is a chassis ground while the load has an earth ground reference.

The term “chassis ground” (Figure 2) indicates a ground reference on the dead metal enclosure points of an electronic device. It is possible for this ground reference to sit at earth potential or at some other value if it is not grounded to earth. In the case where the chassis is not earth grounded, it is said to be “floating” at some potential other than earth ground. Figure 3 illustrates a circuit where the neutral conductor floats at a higher potential than an earth ground reference because the conductors of the circuit are completely isolated from ground.

A floating circuit can have safety issues associated with it due to the fact that there is no low impedance path to ground. However, this type of circuit can also help isolate a system from interference problems caused by ground loops.

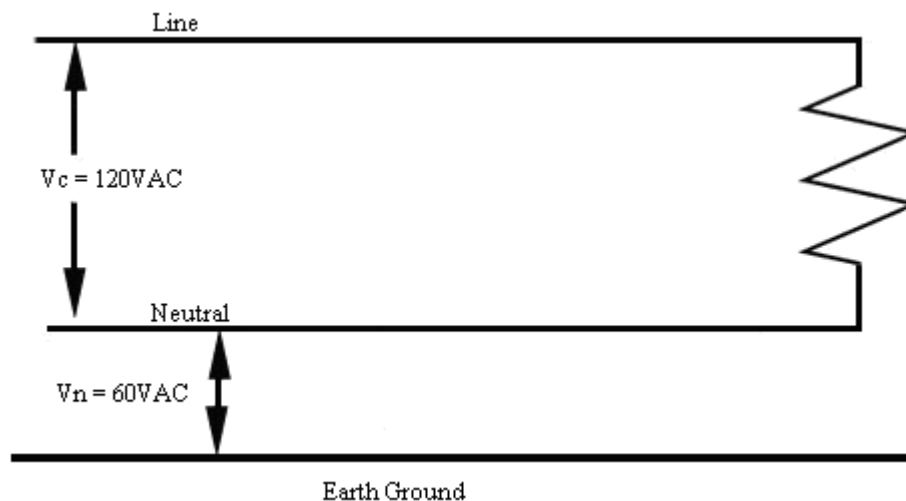


Figure 3: Example of a floating neutral. There is a 60V potential difference between earth ground and neutral (V_n).

Ground for Safety

The primary function of a ground is safety. Figure 4 shows a distribution system with a source and a load. In the event that the insulation on the load should fail, the ground reference provides a low impedance path to earth. This is because electrons are lazy by nature -- they will always take the path of least resistance. Proper grounding to earth ensures that a person is not the low impedance path. Grounding on electrical products is

essential for ensuring safety within systems. The dark side to grounding systems is that they can create issues that affect the rest of an electronic system. Ideally, all ground systems would sit at the exact same earth ground reference. This is not always the case and differences in ground potentials can cause safety hazards as well as issues with interference.

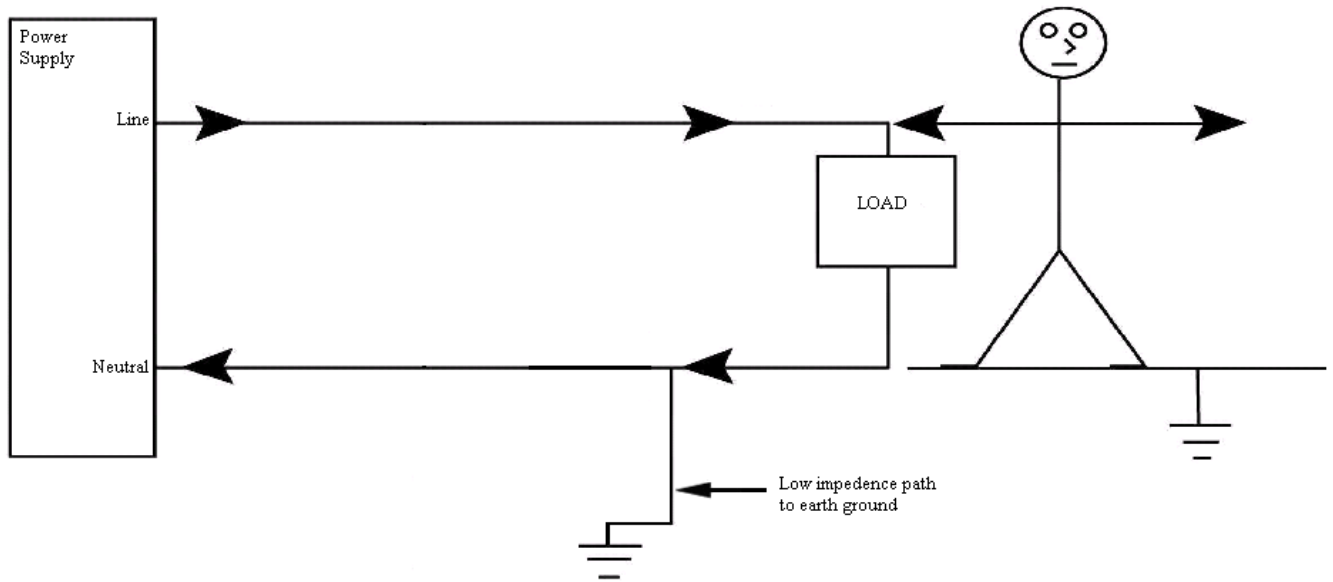


Figure 4: Distribution system with neutral tied directly to earth ground. This provides a low impedance path to earth so in the event of a fault at the load, the person is not the path to ground.

Ground Noise

In a perfect world all points of a grounding system would be at the same potential. In reality, it is not uncommon for different points of the same grounding system to sit at slightly different potentials. This could be due to a number of reasons including the distance between grounding conductors and variations in soil resistance. Large transients in voltage and current, sometimes due to lightning strikes can also cause issues with grounding networks. The end result is the existence small potential differences between grounding points.

A difference in potential, whether it is a few millivolts between PC data communication lines or hundreds of volts in transmission distribution networks, means that current can flow between those two points. These variations in potential cause what are called “ground loops” throughout a system. As shown in Figure 5, the difference in potential between the chassis ground on the power source and the chassis ground on the device under test has caused a ground loop. The effects of ground loops depend on the severity of the potential difference between grounding points. Small ground loops inject noise onto a system and cause interruption or loss of communication on data lines such as RS-232 or GPIB interfaces. Large ground loops can damage electronic equipment and even pose safety hazards if the ground loop currents are large enough.

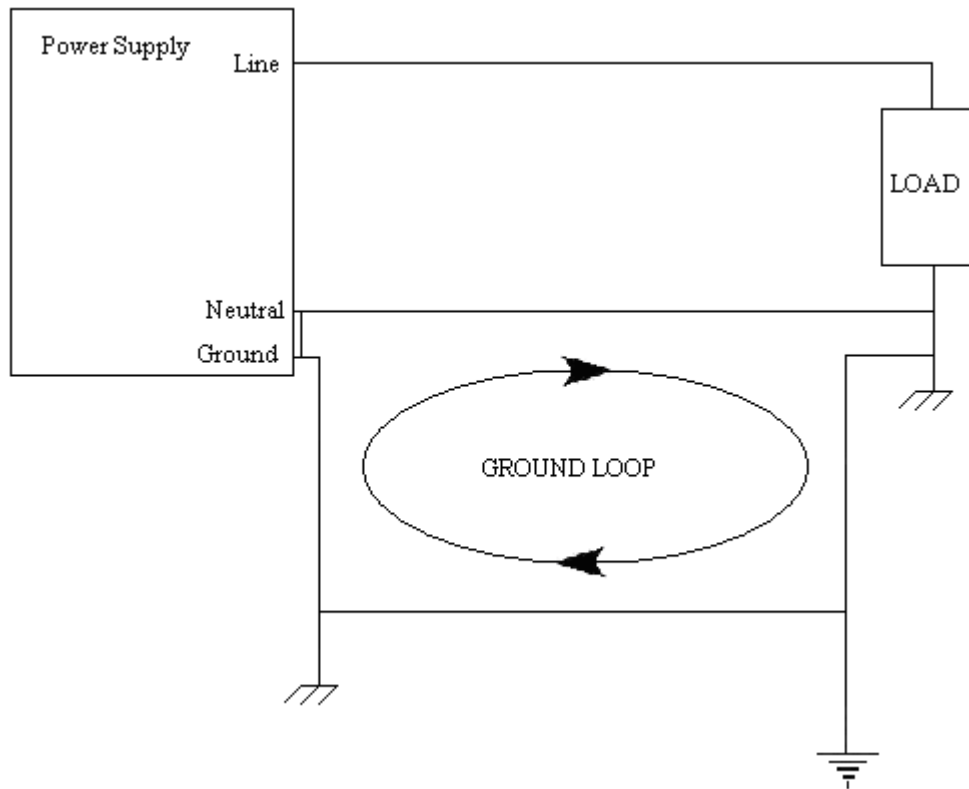


Figure 5: Ground loop due to difference in potential on chassis ground of source and chassis ground of load

It is possible to mitigate ground loops. Introducing multiple earth reference points, running equipment off of the same breaker panel (which shares a common ground) or separating mains voltage from communication lines are all methods used to reduce

ground noise. However, many facilities actually share grounding systems with other industrial complexes. Large equipment in these facilities can introduce severe ground loops onto a ground system that are difficult to avoid. In such cases it may be crucial to use a power source that can isolate sensitive equipment from the effects of ground loops. APT power sources provide a solution for isolating electrical products from the ground noise that exists in distribution networks.

APT Power Source Floating Output

The full line of APT power sources comes in one of two grounding configurations. A floating output on all APT sources is standard. This means that the line and neutral output are completely separated from the chassis ground of the source. Some example measurements on an APT 6020 2kVA power source are shown Figure 6a-e to illustrate the point of the floating output. For this example, the source has been set to a standard 120V, 60Hz output (Figure 6a). A voltmeter is used to take measurements between the line and neutral outputs to the ground terminal output.



Figure 6a: 6020 source set to 120.0VAC and voltmeter connected between line and neutral output



Figure 6b: Voltage measurement of 120.2VAC between line and neutral output



Figure 6c: Voltage measurement between neutral and ground



Figure 6d: Voltage measurement between line and ground



Figure 6c: Voltage measurement between neutral and ground with neutral tied to ground reference.

Figure 6b illustrates a voltage measurement between line and neutral. The meter indicates the correct output of 120VAC. Figure 6c shows a measurement between neutral and ground while figure 6d indicates a measurement between line and ground. The voltage reading between neutral and ground is 57.6VAC while line to ground is 62.9VAC. This is because the neutral is not tied to the chassis ground in this case so it actual “floats” above ground potential ($57.6V + 62.9V = 120.5VAC$). As a result the output is isolated from system ground and the full output of 120V is referenced between line and neutral with no ground connection.

APT power sources can also contain a ground reference for applications in which a grounded neutral is required. When a ground reference is specified, the neutral is tied to the source’s chassis ground. The chassis ground of the source is also tied to the ground pin of the power source’s input, thus effectively grounding the chassis of the source to the system’s earth ground. In this configuration, the voltage measurement between neutral and ground is essentially 0V (0.9mV reading simply residual voltage on the system) because the neutral has been referenced to the chassis ground (Figure 6e).

Conclusion

APT power sources provide the user with the flexibility to choose between a floating or grounded output. A power source with a floating output provides the advantage of

isolating the voltage output from interference due to ground loops. This type of output can be advantageous in situations where heavy interference resulting from ground loops can either damage sensitive circuitry or give erroneous readings on measurement equipment. In applications where a grounded neutral is required due to government regulations (for example, Ontario Electrical Safety Code section 10) or user-specific setups, the power source's neutral output can be tied to chassis ground with minimum hardware manipulation. Whether floating or grounded, APT power sources can be tailored to meet customer needs both domestically and internationally.